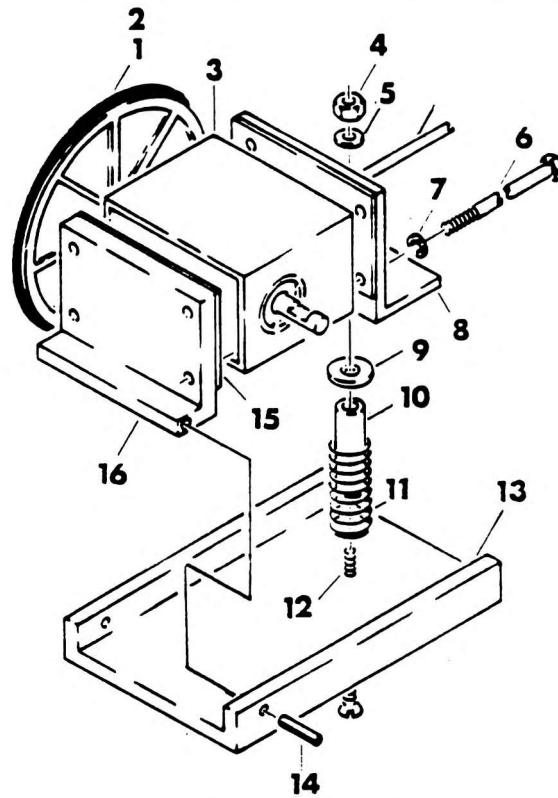


SENSOR ASSEMBLY - ROTATION INDICATOR

GROVE



NO.	PART NO.	QTY	DESCRIPTION	NO.	PART NO.	QTY	DESCRIPTION
	7-352-000249		COMPLETE ASSY				
1	9-486-100060	1	O-RING				
2	9-486-100062	1	PULLEY				
3	9-486-100072	1	HOUSING				
4	9-486-100063	1	NUT				
5	9-486-100058	1	WASHER				
6	9-486-100057	4	SCREW				
7	9-486-100061	4	WASHER				
8	9-486-100084	1	CIRCUIT ASSY				
			9352100363 (1) P.C. BOARD				
9	9-486-100064	1	WASHER				
10	9-486-100067	1	SPACER				
11	9-486-100066	1	SPRING				
12	9-486-100065	1	SCREW				
13	9-486-100071	1	PLATE				
14	9-486-100059	2	PIN, ROLL				
15	9-486-100070	1	GASKET				
16	9-486-100069	1	PLATE				